

REVISIONS			
REV	DESCRIPTION, ECN, EAR NO.	DATE	APP'D
A	PROPOSAL DRAWING	FEB22,2012	L.CHAN
B	PROPOSAL DRAWING	MAR08,2012	L.CHAN
C	PROPOSAL DRAWING	MAY07,2013	L.CHAN

- NOTES:
- ELECTRICAL:**
- VOLTAGE RATING : 125 VAC.
 - CURRENT RATING : 1.25 AMP.
 - INSULATING RESISTANCE : 500 MEGOHMS MINIMUM.
 - DIELECTRIC STRENGTH : 1000 VAC 60HZ, 1MIN.
 - CATEGORY 5E CHARACTERISTIC:

Frequency Near-End Crosstalk Return Loss Attenuation

MHz	dB, MIN.	dB, MIN.	dB, MAX.
1.0	65	30	0.1
4.0	65	30	0.1
8.0	64.9	30	0.1
10.0	63	30	0.1
16.0	58.9	30	0.2
20.0	57	30	0.2
25.0	55	30	0.2
31.25	53.1	30	0.2
62.5	47.1	24.1	0.3
100.0	43	20	0.4

- MECHANICAL:**
- SHIELD : STAINLESS STEEL, WITH TIN-DIP ON SOLDER TABS.
 - HOUSING : HIGH TEMP THERMOPLASTIC, UL 94V-0.
 - INSERT : HIGH TEMP THERMOPLASTIC UL 94V-0.
 - PCB : FR-4.
 - CONTACT : PHOSPHOR BRONZE, SELECTIVE GOLD PLATING FOR MATING SURFACE, SEE AMPHENOL PART NUMBER FOR DETAIL. 50u" NICKEL UNDERPLATE 100u" MATTE TIN PLATING ON CONTACT SOLDER TAIL.

- ENVIRONMENTAL:**
- STORAGE : -40° TO +85°.
 - OPERATION : -40° TO +85°.
- MATES WITH MODULAR PLUG CONFORMING TO FCC PART 68, SUBPART F. RECOMMENDED SOLDER PROCESS: WAVE SOLDER, PEAK TEMPERATURE 260° FOR 10 SECOND.

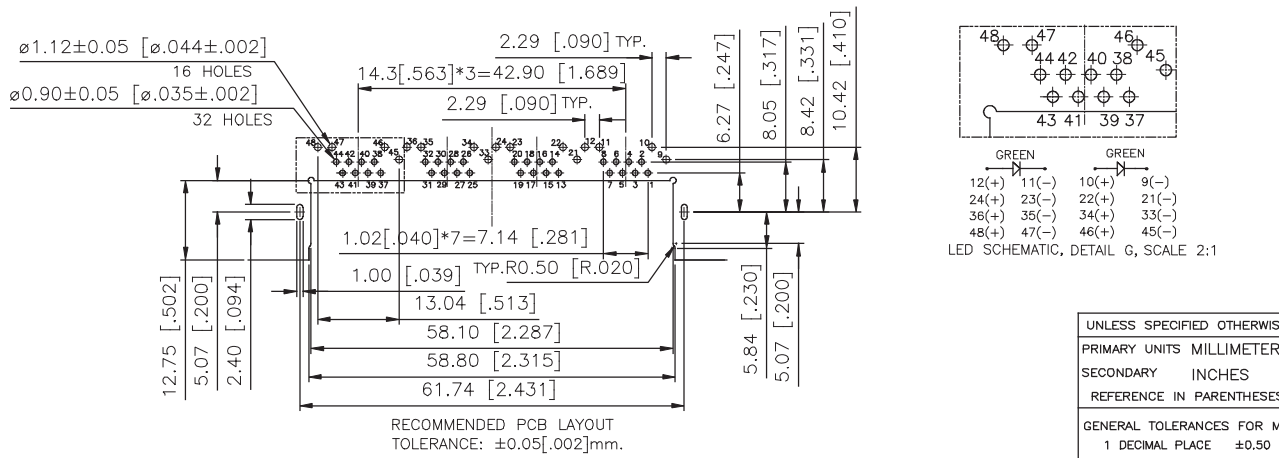
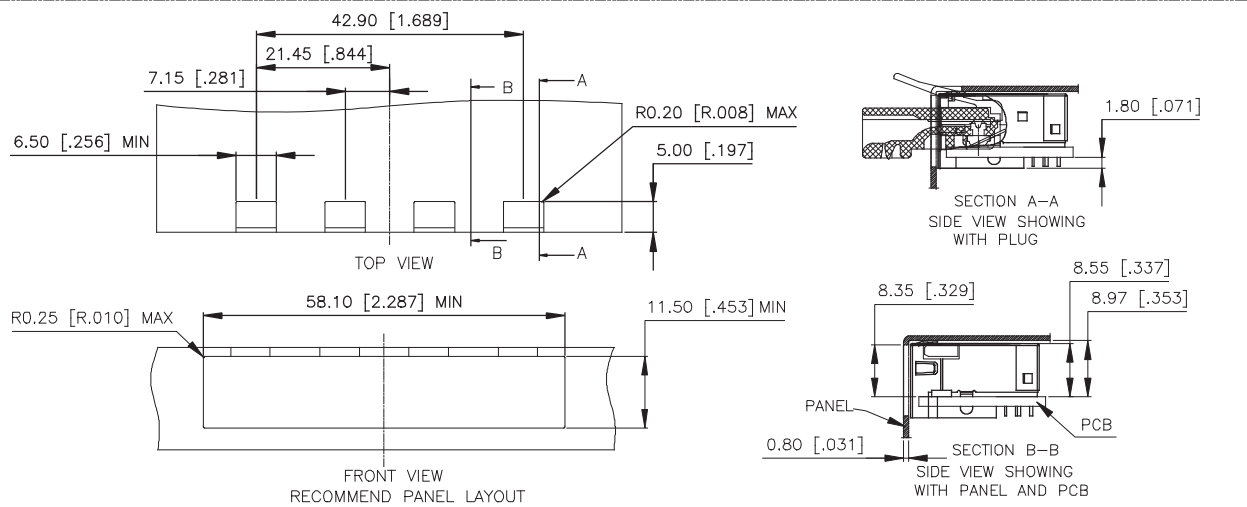
AMPHENOL PART NUMBER: RJE72-488-1XXX

GOLD PLATING OPTION (SEE BELOW TABLE 1) REFER TO LED OPTIONS DRAWING FOR ORDERING CODES

1=6u" [0.15 MICRONS] GOLD PLATING
 2=15u" [0.38 MICRONS] GOLD PLATING
 3=30u" [0.76 MICRONS] GOLD PLATING
 4=50u" [1.27 MICRONS] GOLD PLATING

TABLE 1

AMPHENOL P/N:	DIM A	RECOMMEND PCB THICKNESS
RJE724881XX1	3.18 [.125]	2.36 [.093]
RJE724881XX2	2.27 [.089]	1.57 [.062]
RJE724881XX3	2.16 [.085]	1.57 [.062]



UNLESS SPECIFIED OTHERWISE	DRAWN HUGH WANG FEB 22,2012
PRIMARY UNITS MILLIMETERS	CHECKED L.CHAN FEB 22,2012
SECONDARY INCHES	M.E. APP'D
REFERENCE IN PARENTHESES	Q.A. APP'D
GENERAL TOLERANCES FOR MM	DWG APP'D ADRIAN.G FEB 22,2012
1 DECIMAL PLACE ±0.50	ENG. REL. NO.
2 DECIMAL PLACE ±0.30	REF.
3 DECIMAL PLACE ±0.10	THIRD ANGLE PROJECTION
ANGULAR DEGREES ±3°	DO NOT SCALE DRAWING

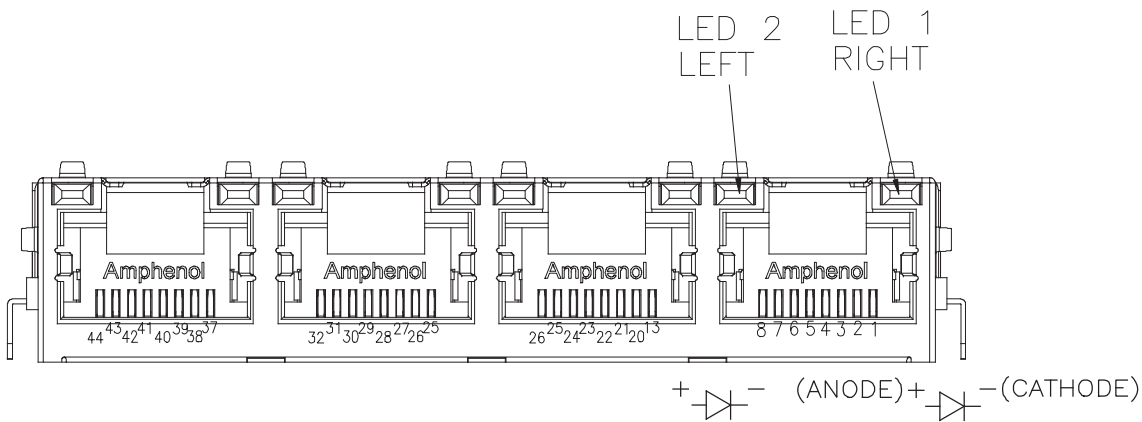
Amphenol Canada Corp.
www.amphenolcanada.com

MODULAR JACK, 1X4 PORTS, 8 POSITIONS, 8 CONTACTS, SHIELDED WITH TOP & SIDE TABS, WITH LED, SINK PCB TYPE, TAB UP, CATSE

DWG NO. P-RJE72-488-1XXX REV C

CODE ID NO. 03554 DWG SIZE: C SCALE: N/A SHEET 1 OF 1

THIS DOCUMENT CONTAINS PROPRIETARY INFORMATION AND SUCH INFORMATION MAY NOT BE DISCLOSED TO OTHERS FOR ANY PURPOSE OR USED FOR MANUFACTURING PURPOSES WITHOUT WRITTEN PERMISSION FROM AMPHENOL CANADA CORP.



TYPICAL FOR SINGLE & MULTI-PORT

EXAMPLE:

PART NUMBER RJE72-488-1XXX



LED SPECIFICATIONS:

FORWARD VOLTAGE: 2.1 VOLTS TYP.
 REVERSE VOLTAGE: 5.0 VOLTS MIN.
 LUMINOUS INTENSITY: 0.5 mCd MIN.

(AT If=2mA)

STORAGE TEMPERATURE: -40° TO 85° C
 LEAD SOLDERING TEMPERATURE: 260° C

(5 SEC, 1/16" FROM CASE)

PLATING ON TAILS: TIN OR TIN/COPPER
 ALLOY OVER SILVER

PRIMARY COLOR FOR BI-COLOR

LEDS IN STANDARD ANODE/
 CATHODE CONFIGURATION IS:

- RED-GREEN= RED
- RED-YELLOW= RED
- GREEN-YELLOW= GREEN
- GREEN-ORANGE= GREEN

CODE	LED 2 (LEFT)	LED 1 (RIGHT)	CODE	LED 2 (LEFT)	LED 1 (RIGHT)	CODE	LED 2 (LEFT)	LED 1 (RIGHT)
0	BLOCKED	BLOCKED	9	GREEN	BLOCKED	J	BiC RD/GR	YELLOW
1	YELLOW	GREEN	A	BiC GR/YE	BiC GR/YE	K	YELLOW	BiC GR/OR
2	BLOCKED	GREEN	B	BiC RD/GR	BiC RD/GR	L	BiC GR/YE	RED
3	YELLOW	BLOCKED	C	BiC RD/GR	BiC GR/YE	M	RED	YELLOW
4	GREEN	YELLOW	D	GREEN	BiC GR/YE	P	GREEN	BiC RD/GR
5	GREEN	GREEN	E	YELLOW	BiC GR/YE	R	BiC GR/OR	GREEN
6	YELLOW	YELLOW	F	BiC GR/YE	YELLOW	T	RED	RED
7	RED	GREEN	G	BiC GR/OR	BiC GR/OR	V	BiC RD/GR	GREEN
8	GREEN	RED	H	BiC GR/YE	GREEN			

LEGEND

- BiC=BI-COLOR LED
- LOWC=LOW CURRENT LED
- YE=YELLOW
- GR=GREEN
- RD=RED
- OR=ORANGE

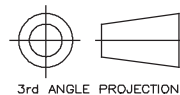
NOTE:

THE TWO DIGITS PRECEDING THE
 ADDITIONAL LED CODE MUST BE
 USED IN THE PART NUMBER, WHEN
 ORDERING ANY OF THE ADDITIONAL
 LED OPTIONS.

REVISIONS			
REV	ECN, ERN NO.	DATE	APPRD.
A	PROPOSAL DRAWING	FEB. 22,2012	L.CHAN

THIS DOCUMENT CONTAINS PROPRIETARY INFORMATION AND SUCH INFORMATION
 MAY NOT BE DISCLOSED TO OTHERS FOR ANY PURPOSE OR USED FOR MANUFACTURING
 PURPOSES WITHOUT WRITTEN PERMISSION FROM AMPHENOL CANADA CORP.

UNLESS OTHERWISE SOECIFIED DIMENSION ARE IN mm TOLERANCE ARE : FRACTION DECIMALS ANGLES		DATE FEB 22,2012
.X ±0.50	.X° ±3.0°	DRAWN HUGH WANG
.XX ±0.30	.X° ±2.0°	DESIGNED HUGH WANG
.XXX ±0.10	.XX° ±1.0°	CHECKED L.CHAN
		FEB 22,2012
		I. E. APPRD.
		Q. A. APPRD.
		DWG. APPRD. ADRIAN,G
		FEB 22,2012
		ENG. REL. NO.
		REF.
DIMENSIONS ARE IN	CODE ID. NO.	
mm	03554	



3rd ANGLE PROJECTION

Amphenol Canada Corp.

TITLE
 LED OPTIONS FOR RJE72, SINGLE
 OR MULTI-PORT CONNECTORS

DWG C	DRAWING NO. P-RJE72-LEDs	REV. A
SCALE 4/1	WT. -----	SURF. -----
SHEET 1 OF 1		